

DARK[®]

NEW DARLINGS 2023



CUIABA _____ 04



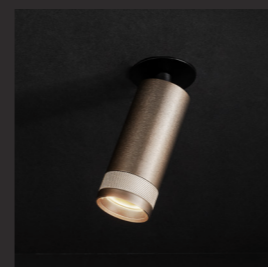
CHIQUE _____ 12



ELPEE _____ 18



PETI _____ 24



PETU _____ 28



PLANETZZZ _____ 34



TORNER _____ 38



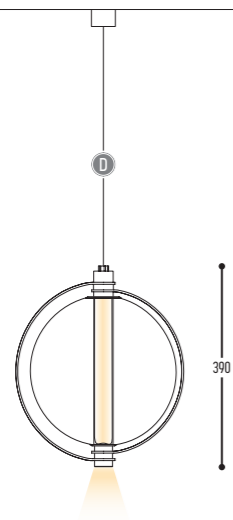
TOTM _____ 44

CUIABA

design didier françois



CUIABA S
3103-134-90434H-DD-151-K



Alu - Glass - Alabaster



BB(B)	COLORS	134	Alabaster
EFF	CRI • LUMENOUTPUT	904	>90 CRI • 600 Lm / 250 mA / 4,2 W
GG	REFLECTOR	34	34°
H	COLOR TEMP.	2	2700 K
		3	3000 K
DD	SUSP. CABLE	01	1,5 m
		02	2,5 m
II(I)	COLOR	151	Bronze Dark (BRD)
K	DRIVER	1	No driver
		0	Non dimmable (extern)
		2	Dimmable 1-10 V (extern)
		3	Dali (extern)
		4	Phase cut (extern)





3101

BB(B)	COLORS	134	Alabaster
EFF	CRI • LUMENOUTPUT	904	>90 CRI • 600 Lm / 250 mA / 4,2 W
GG	REFLECTOR	34	34°
H	COLOR TEMP.	2	2700 K
		3	3000 K

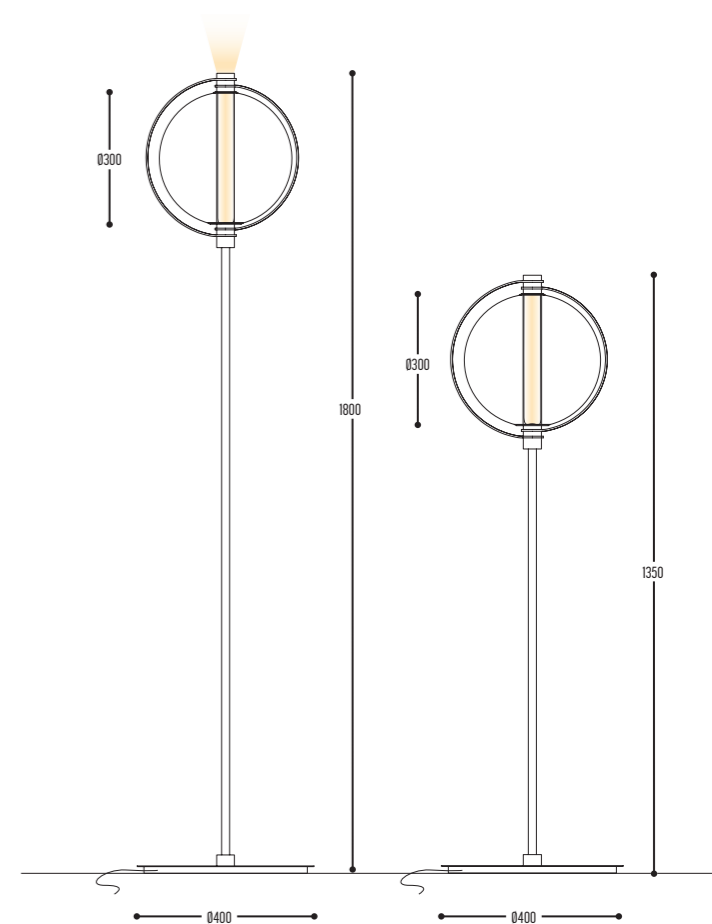
II(I)	COLOR	151	Bronze Dark (BRD)
-------	-------	-----	-------------------

3100

BB(B)	COLORS	134	Alabaster
II(I)	COLOR	151	Bronze Dark (BRD)



CUIABA FLOOR 135

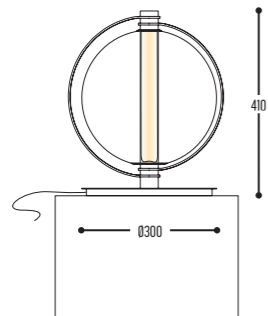
CUIABA FLOOR 180
3101-134-90434(H)-151CUIABA FLOOR 135
3100-134-151

Alu - Glass - Alabaster





CUIABA TABLE
3102-134-151



Alu - Glass - Albaster



BB(B)	COLORS	134	Alabaster
II(I)	COLOR	151	Bronze Dark (BRD)

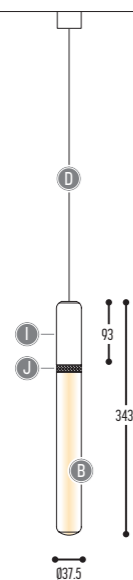


CHIQUE

design dark studio



CHIQUES
2600-BB(B)-904H-DD-II(I)-JJ(J)-K



Alu - Glass/Albaster



BB(B)	COLORS	13	Glass White
		134	Albaster
EFF	CRI • LUMENOUTPUT	904	>90 CRI • 400 Lm / 250 mA / 4,2 W
H	COLOR TEMP.	1	2200 K
		2	2700 K
		3	3000 K
DD	SUSP. CABLE	01	1,5 m
		02	2,5 m
II(I)	COLOR	02	Black
		150	Bronze Light (BRL)
		151	Bronze Dark (BRD)
JJ(J)	COLOR	02	Black
		150	Bronze Light (BRL)
		151	Bronze Dark (BRD)
K	DRIVER	1	No driver
		0	Non dimmable (extern)
		2	Dimmable 1-10 V (extern)
		3	Dali (extern)
		4	Phase cut (extern)





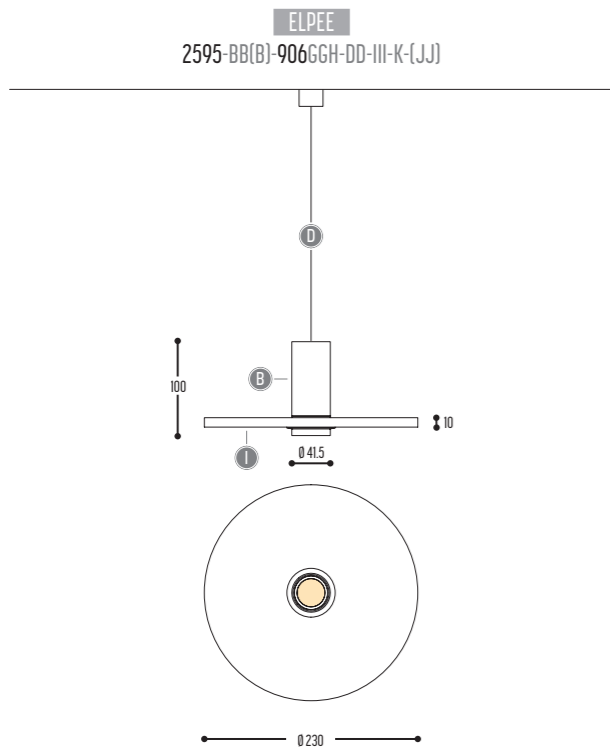
ELPEE
design dark studio

OAK NATURAL



OAK STAINED BLACK





BB(B)	COLORS	02	Black
		150	Bronze Light (BRL)
		151	Bronze Dark (BRD)
EFF	CRI • LUMENOUTPUT	906	>90 CRI • 600 Lm / 350 mA / 6,4 W
		22	22°
		34	34°
GG	REFLECTOR	54	54°
		2	2700K
		3	3000K
H	COLOR TEMP.	4	4000K
DD	SUSP. CABLE	01	1,5 m
		02	2,5 m
III	MATERIALS	118	Oak natural
		117	Oak stained black
		134	Alabaster
		139	Terracotta
		215	Marron Napoleon
		216	Vert De Rajasthan
		218	Rosso Verona
		217	Travertino Romano Striato
K	DRIVER	1	No driver
		0	Non dimmable (extern)
		2	Dimmable 1-10 V (extern)
		3	Dali (extern)
		4	Phase cut (extern)
(J)	OPTIONAL	02	Honeycomb black

TRAVERTINO ROMANO STRIATO



ROSSO VERONA



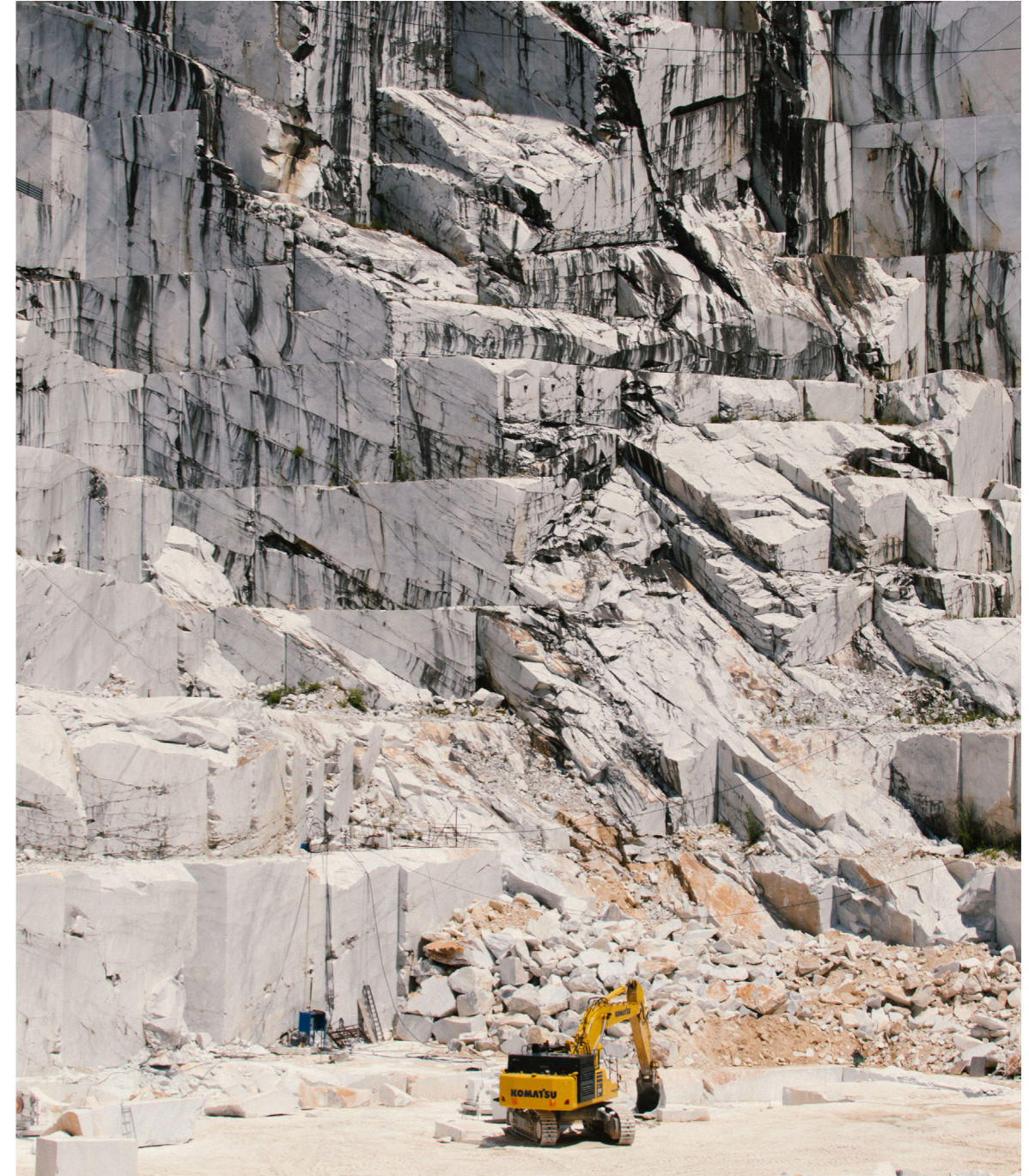
VERT DE RAJASTHAN



MARRON NAPOLEON



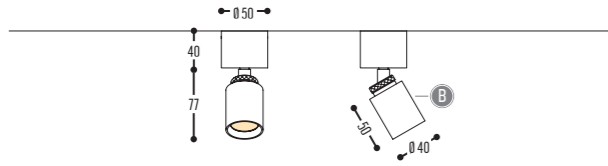
ALABASTER



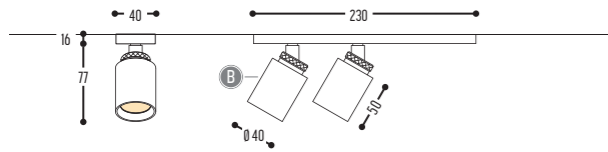
PETI
design dark studio



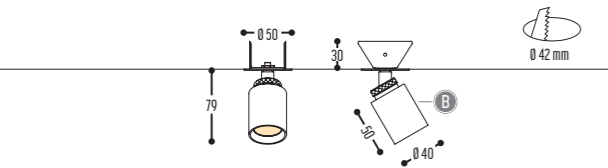
PETI
3150-BB(B)-906GGH-K



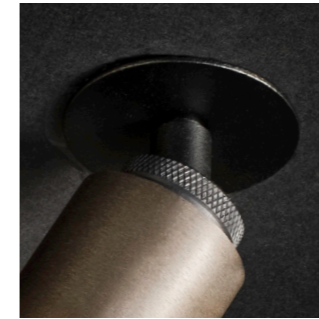
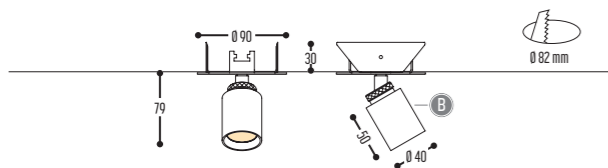
PETI BOX 7
3151-BB(B)-906GGH-K



PETI SET 1/50
3152--BB(B)-906GGH-K



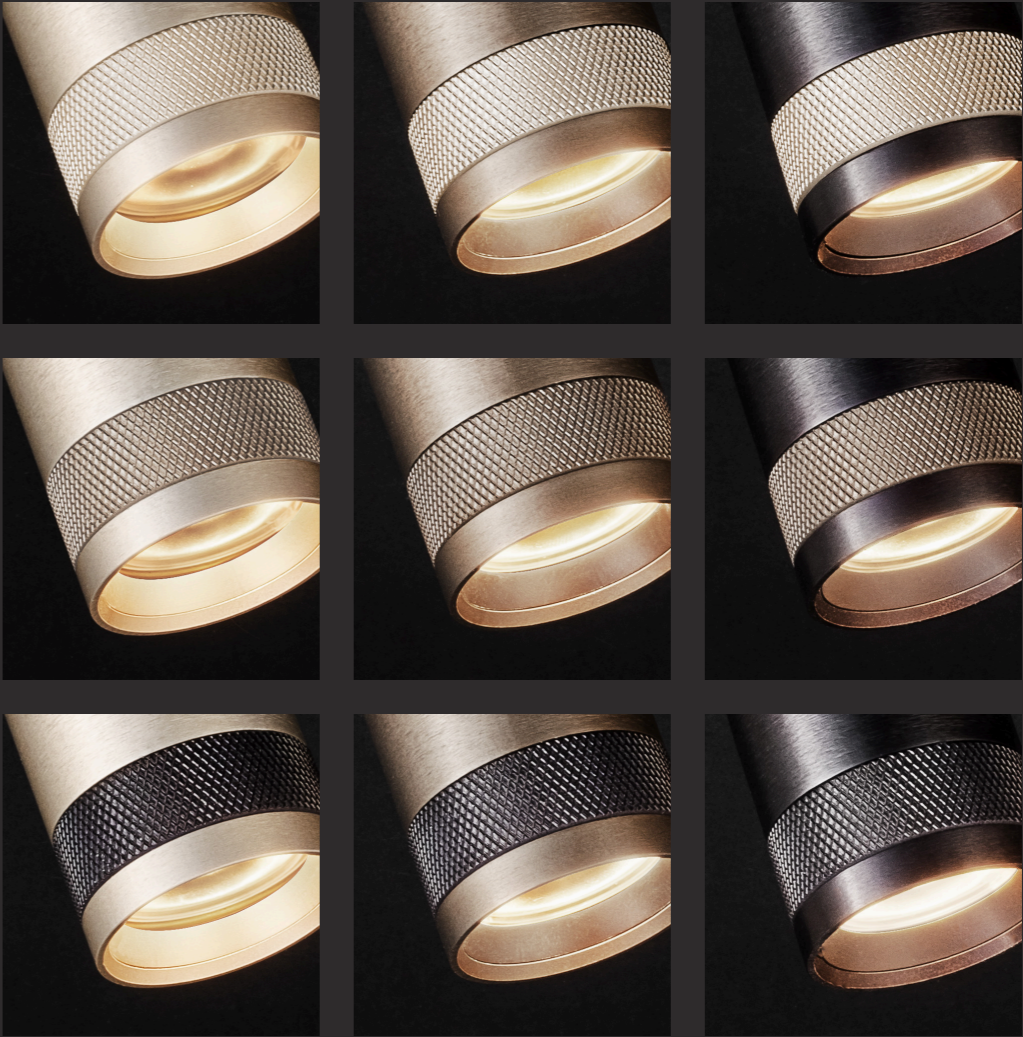
PETI SET 1/90
3153--BB(B)-906GGH-K



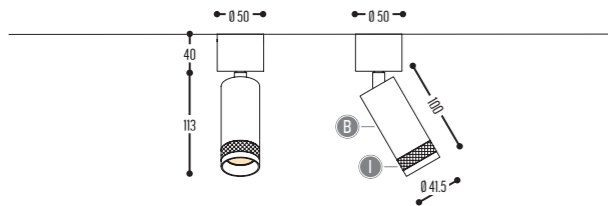
BB(B)	COLORS	02	Black		
		150	Bronze Light (BRL)		
		151	Bronze Dark (BRD)		
EFF	CRI • LUMENOUTPUT	906	>90 CRI • 600 Lm / 350 mA / 6,4 W		
		GG	REFLECTOR	22	22°
				34	34°
54	54°				
H	COLOR TEMP.	2	2700K		
		3	3000K		
		4	4000K		
		K	DRIVER	1	No driver
0	Non dimmable (extern)				
2	Dimmable 1-10 V (extern)				
3	Dali (extern)				
4	Phase cut (extern)				

PETU

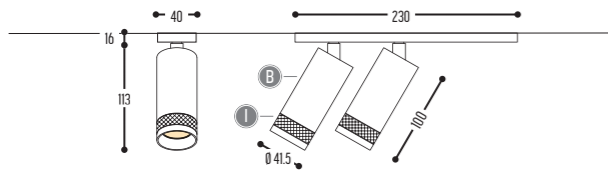
design dark studio



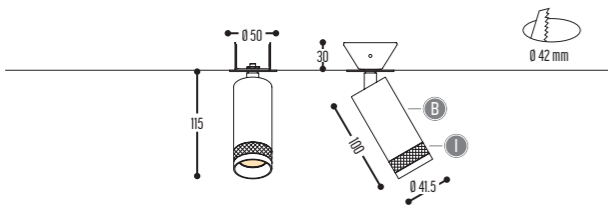
PETU
3200-BB(B)-906GGH-III-K



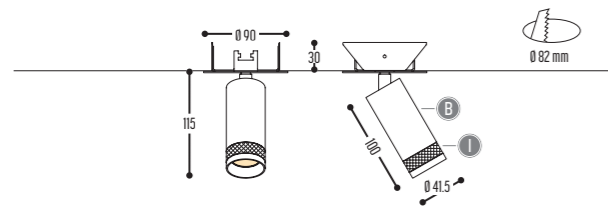
PETU BOX 7
3202-BB(B)-906GGH-III-K



PETU SET 1/50
3203-BB(B)-906GGH-III-K



PETU SET 1/90
3204-BB(B)-906GGH-III-K



Alu

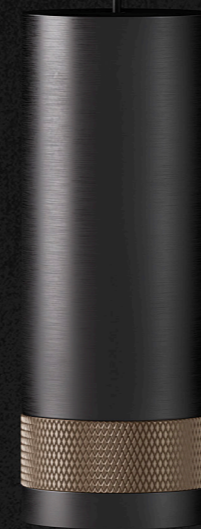


BB(B)	COLORS	02	Black
		150	Bronze Light (BRL)
		151	Bronze Dark (BRD)
EFF	CRI • LUMENOUTPUT	906	>90 CRI • 600 Lm / 350 mA / 6,4 W
		GG	REFLECTOR
H	COLOR TEMP.	2	2700K
		3	3000K
		4	4000K
		III	COLOR
150	Bronze Light (BRL)		
151	Bronze Dark (BRD)		
K	DRIVER	1	No driver
		0	Non dimmable (extern)
		2	Dimmable 1-10 V (extern)
		3	Dali (extern)
		4	Phase cut (extern)

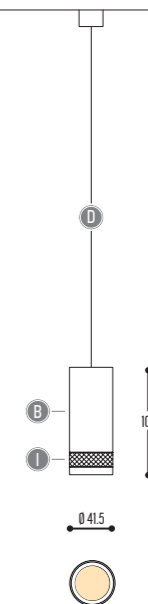




BB(B)	COLORS	02	Black
		150	Bronze Light (BRL)
		151	Bronze Dark (BRD)
EFF	CRI • LUMENOUTPUT	906	>90 CRI • 600 Lm / 350 mA / 6,4 W
		22	22°
		34	34°
GG	REFLECTOR	54	54°
		2	2700K
		3	3000K
H	COLOR TEMP.	4	4000K
DD	SUSP. CABLE	01	1,5 m
		02	2,5 m
III	COLOR	02	Black
		150	Bronze Light (BRL)
		151	Bronze Dark (BRD)
K	DRIVER	1	No driver
		0	Non dimmable (extern)
		2	Dimmable 1-10 V (extern)
		3	Dali (extern)
		4	Phase cut (extern)
(JJ)	OPTIONAL	02	Honeycomb black



PETUS
3201-BB(B)-906GGH-DD-III-K-(JJ)



Alu

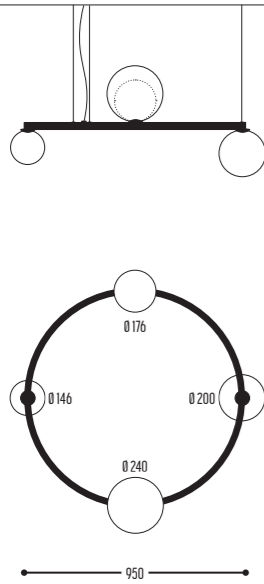


PLANETZZZ

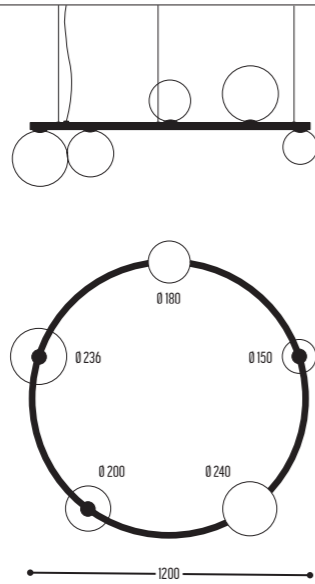
design anthony boelaert



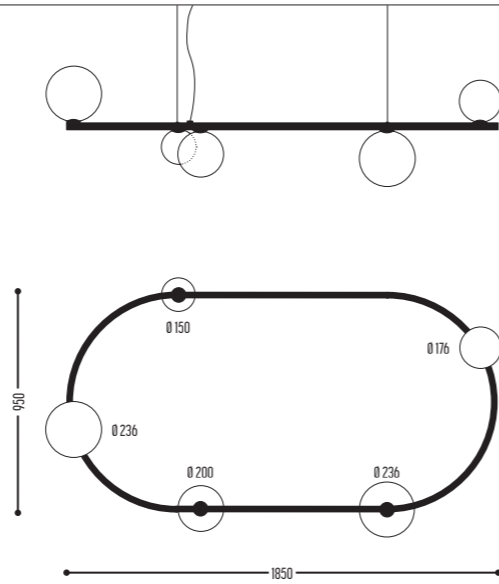
PLANETZZZ 950
2620-BB-90600H-DD-K



PLANETZZZ 1200
2621-BB-90600H-DD-K



PLANETZZZ 950x1850
2622-BB-90600H-DD-K



BB	COLOR RING	02	Black
		03	White
		RAL color on request	
EFF	CRI • LUMENOUTPUT	906	>90 CRI • 600 Lm / 350 mA / 6,4 W (per ball)
GG	REFLECTOR	00	N.A.
		2	2700 K
H	COLOR TEMP.	3	3000 K
DD	SUSP. CABLE	01	1,5 m
		02	2,5 m
		03	5 m
K	DRIVER	0	Non dimmable (intern)
		2	Dimmable 1-10 V (intern)
		3	Dali (intern)

Alu - Glass

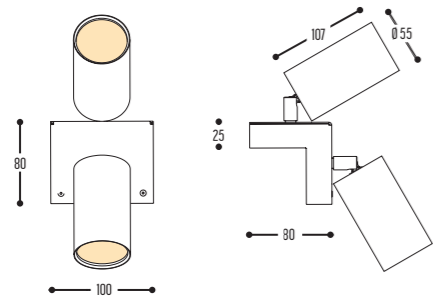


TORNER

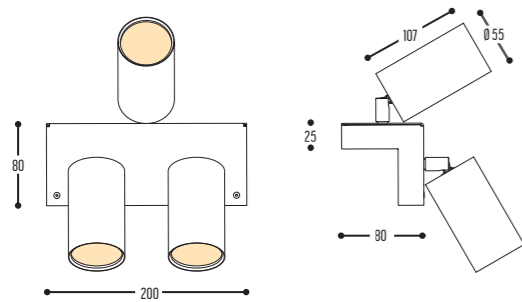
design stephane bouchet



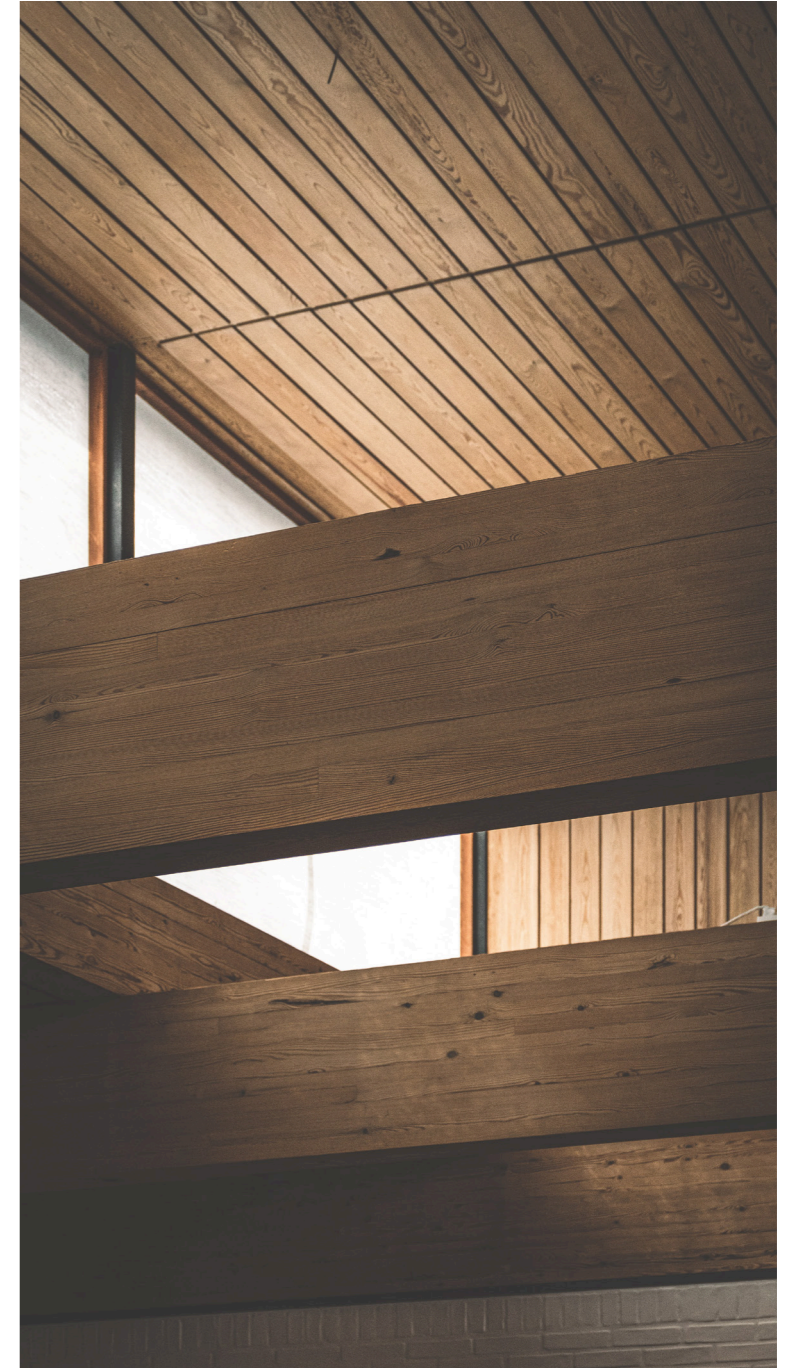
TORNER GU10 DUO
1602-BB-065



TORNER GU10 TRIO
1603-BB-065



BB	COLORS	02	Black
		03	White
CCC	TYPE GU10	065	OPAR51 (MAX 50 W)

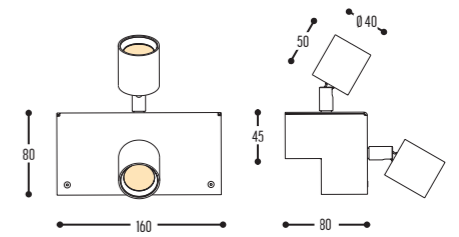




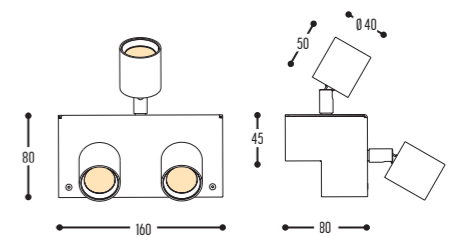
BB	COLORS	02	Black
		03	White
EFF	CRI • LUMENOUTPUT	906	>90 CRI • 600 Lm / 350 mA / 6,4 W
GG	REFLECTOR	22	22°
		34	34°
		54	54°
H	COLOR TEMP.	2	2700K
		3	3000K
		4	4000K
K	DRIVER	1	No driver
		0	Non dimmable
		2	Dimmable 1-10 V
		3	Dali
		4	Phase cut



TORNER DUO
1600-BB-906GGH-K



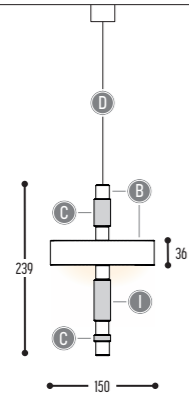
TORNER TRIO
1601-BB-906GGH-K



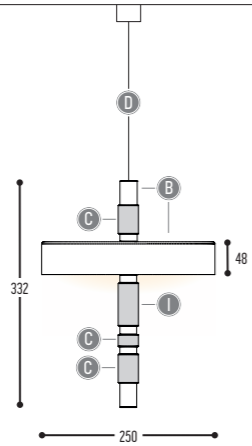
TOTM
design studio bjorn verlinde



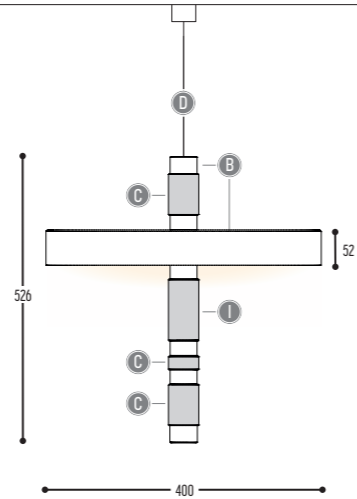
TOTM SMALL
3260-BB(B)-906H-DD-CC(C)-II(I)-K



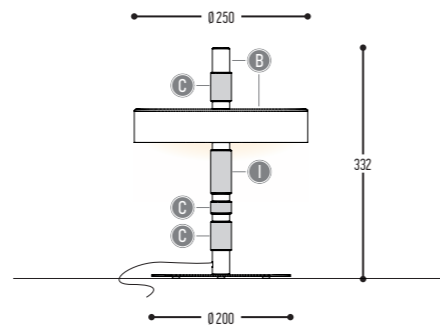
TOTM MEDIUM
3261-BB(B)-906H-DD-CC(C)-II(I)-K



TOTM LARGE
3262-BB(B)-906H-DD-CC(C)-II(I)-K



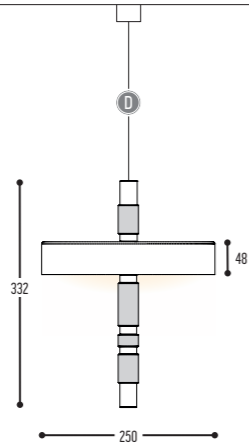
TOTM MEDIUM TABLE
3270-BB(B)-CC(C)-II(I)



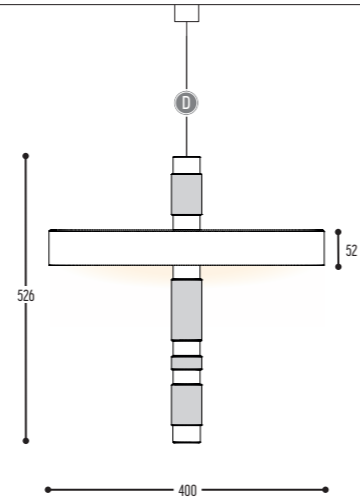
BB(B)	COLORS	02	Black
		150	Bronze Light (BRL)
		151	Bronze Dark (BRD)
EFF	CRI • LUMENOUTPUT	906	>90 CRI • 600 Lm / 350 mA / 6,4 W
		2	2700K
		3	3000K
H	COLOR TEMP.	4	4000K
DD	SUSP. CABLE	01	1,5 m
		02	2,5 m
CC(C)	COLORS	02	Black
		150	Bronze Light (BRL)
		151	Bronze Dark (BRD)
II(I)	COLORS	02	Black
		150	Bronze Light (BRL)
		151	Bronze Dark (BRD)
K	DRIVER	1	No driver
		0	Non dimmable (extern)
		2	Dimmable 1-10 V (extern)
		3	Dali (extern)
		4	Phase cut (extern)



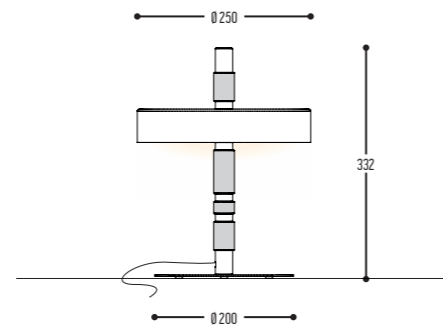
TOTM MEDIUM
3261-COL-906H-DD-K



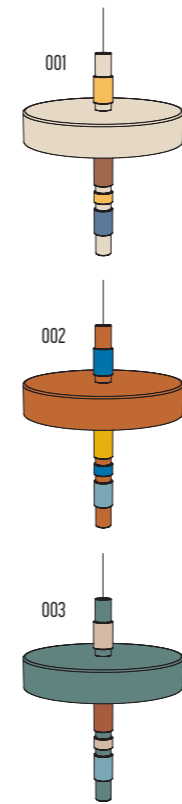
TOTM LARGE
3262-COL-906H-DD-K



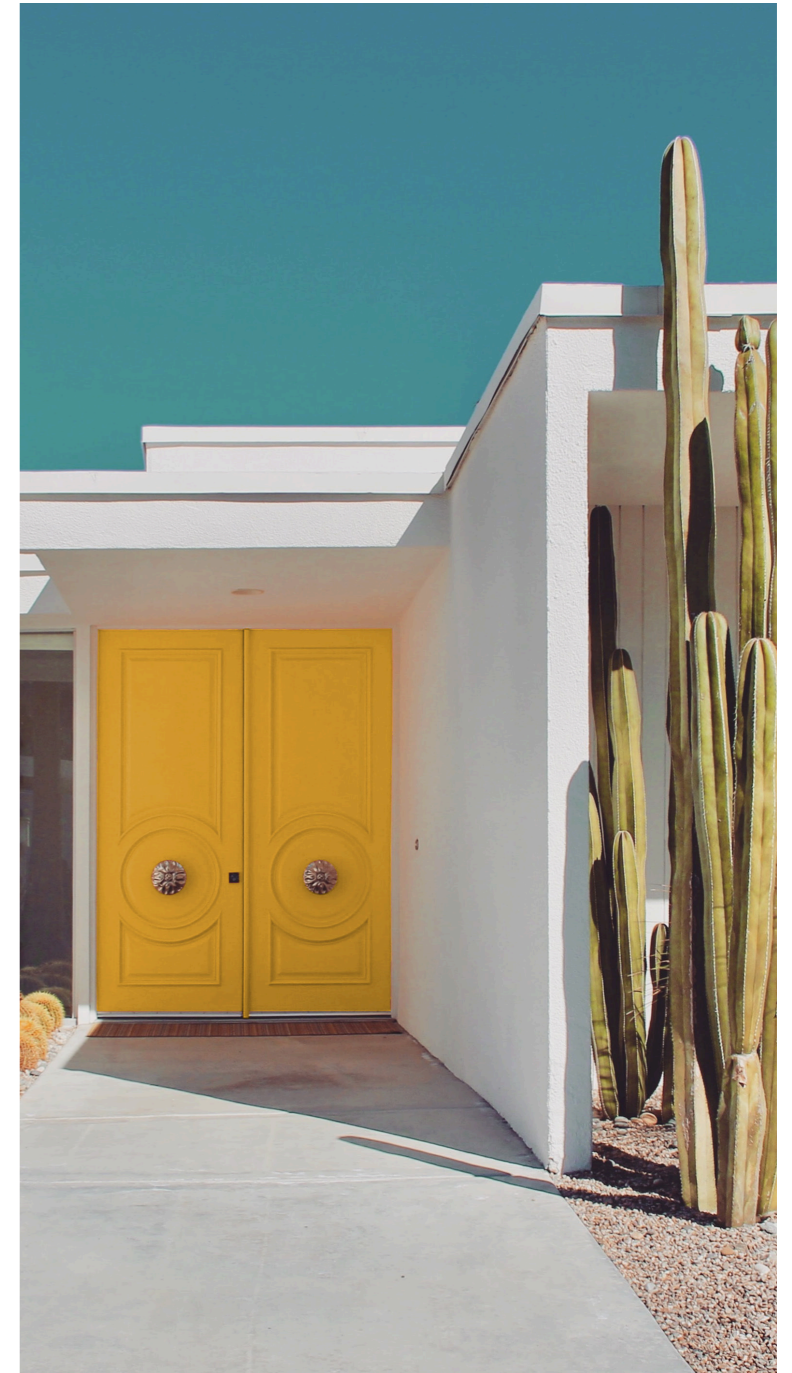
TOTM MEDIUM TABLE
3270-COL-906



COLOR THEMES



COL	COLOR THEME	001	
		002	
		003	
EFF	CRI • LUMENOUTPUT	906	>90 CRI • 600 Lm / 350 mA / 6,4 W
H	COLOR TEMP.	2	2700K
		3	3000K
		4	4000K
DD	SUSP. CABLE	01	1,5 m
		02	2,5 m
K	DRIVER	1	No driver
		0	Non dimmable (extern)
		2	Dimmable 1-10 V (extern)
		3	Dali (extern)
		4	Phase cut (extern)




DARK®

DARK at night nv
Vliegplein 43
9991 Maldegem – Belgium
+32 50 71 81 40
info@dark.be
www.dark.be

 www.facebook.com/wealllovethedark

 www.pinterest.com/pindark

 www.instagram.com/dark.be

© DARK 2023 - Dark has the right to change any technical data, dimensions, colors and characteristics without prior notice. All rights reserved.
Please check always the latest technical data sheets on www.dark.be.

Dark is very proud to present this collection and especially the fact that we have more than 90 international design awards.

Any reproduction of the Dark products is strictly forbidden and can seriously damage your health and endanger your bank account.

